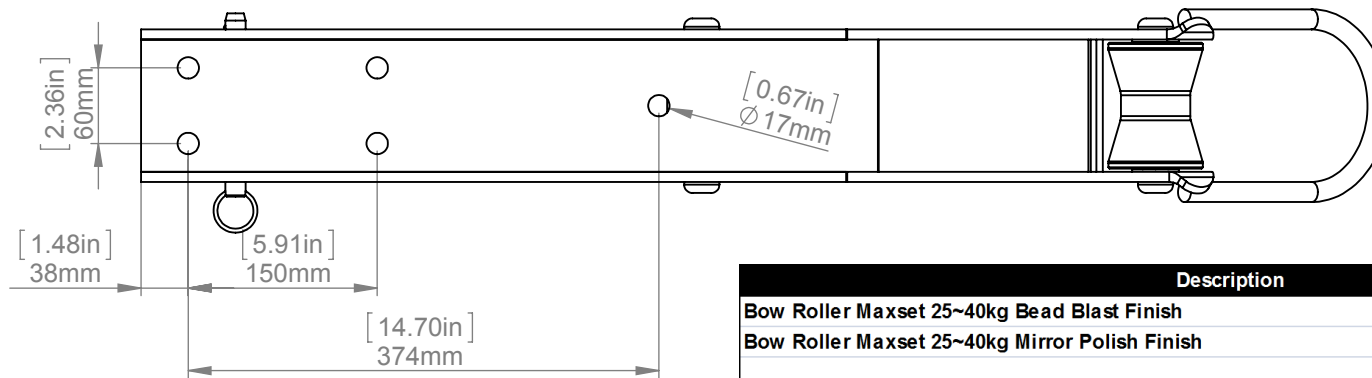
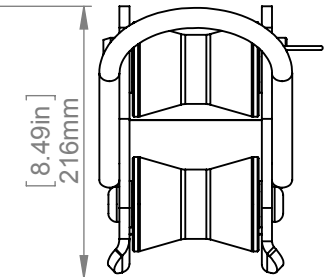
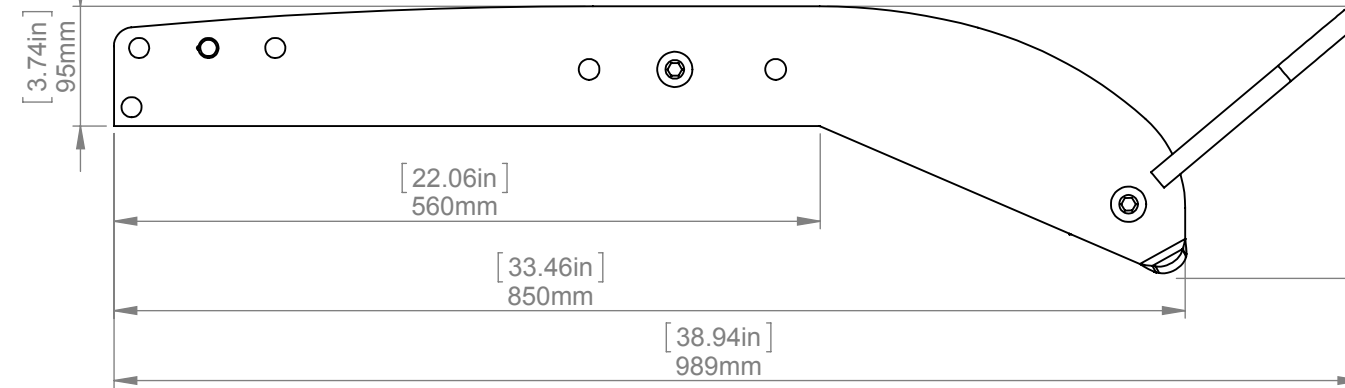
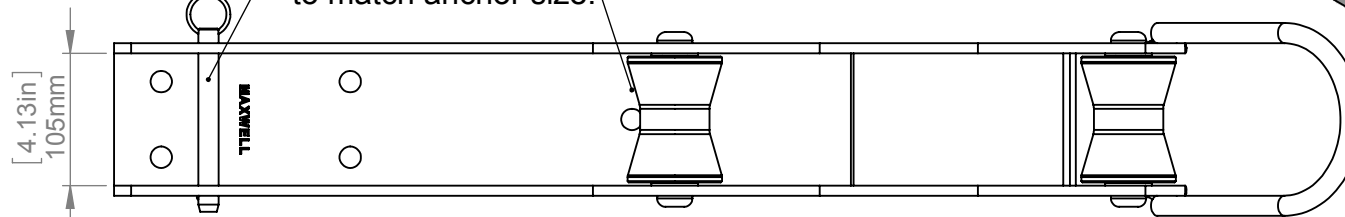
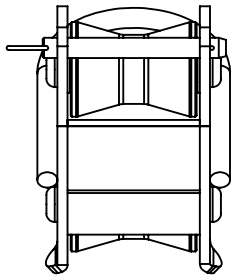
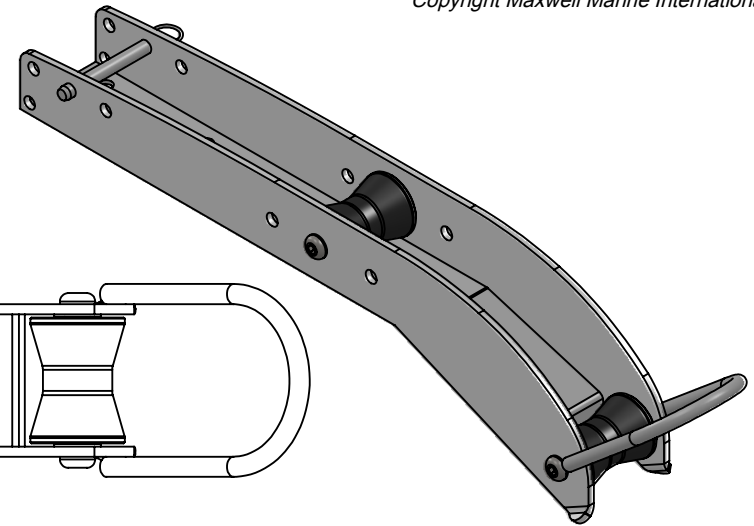


This drawing is protected by copyright and the design and or details contained therein are the confidential property of MAXWELL MARINE INTERNATIONAL LTD. This drawing must be returned upon demand and must not be copied, loaned or have its contents communicated to any other persons, including subcontractors, without the consent in writing from Maxwell Marine International Ltd. This drawing must not be used for any other purpose other than that for which it was originally supplied.

Roller and Quick release pin position can be change to match anchor size.

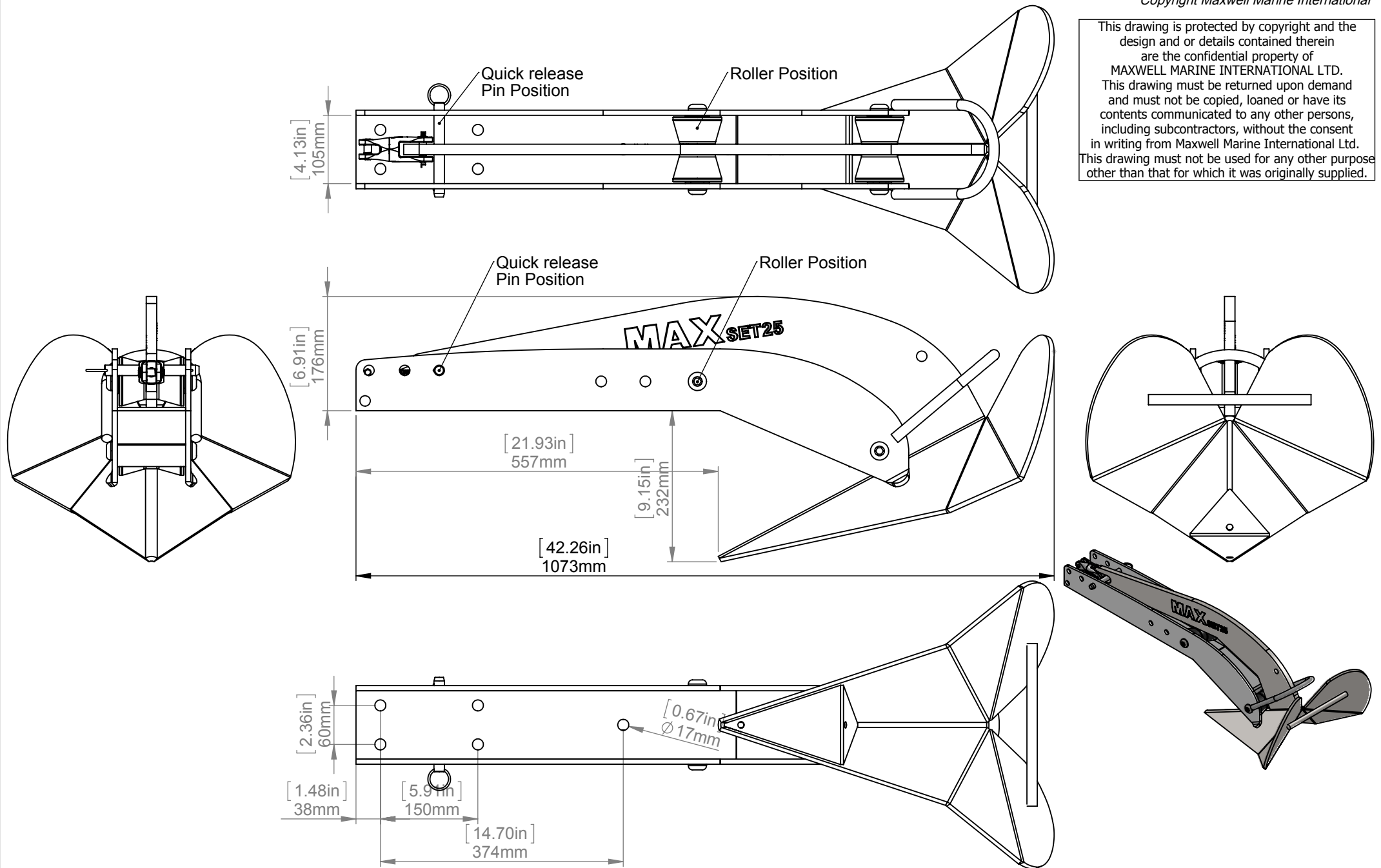


Description	Assy No.
Bow Roller Maxset 25~40kg Bead Blast Finish	P105082
Bow Roller Maxset 25~40kg Mirror Polish Finish	P105083

Rev.	Change	Made on	Des/Dwn	Checked
0.01	Initial Issue	16/09/14	Peter Chiu	GB

Sht Size	Scale	Dwg Type	Sheet	Description	Pbv/Dwg No.
A4	1:6	Dfted	1 of 4	Maxset Bow Roller 25~40kg	P105082

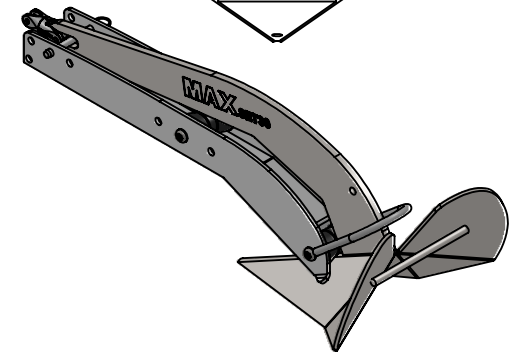
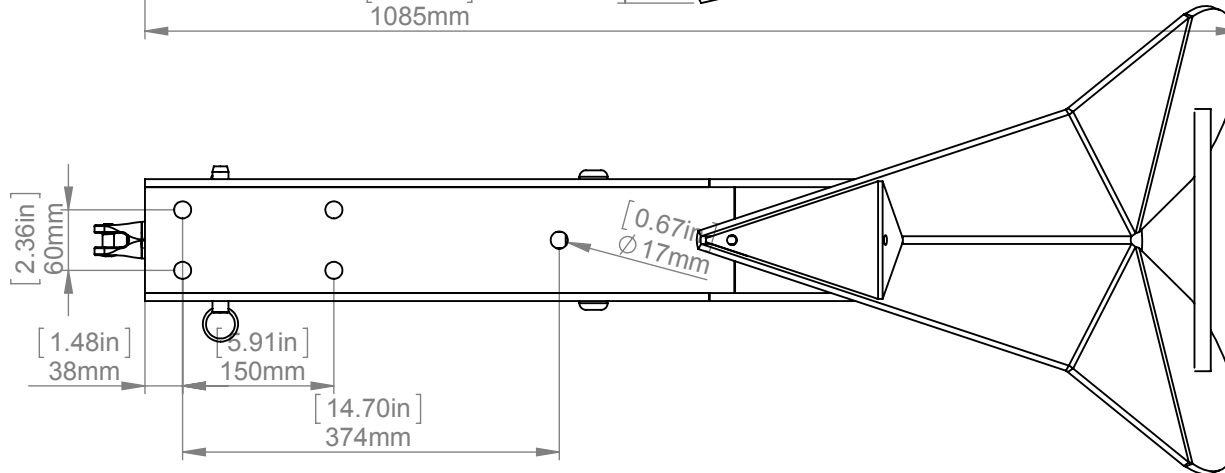
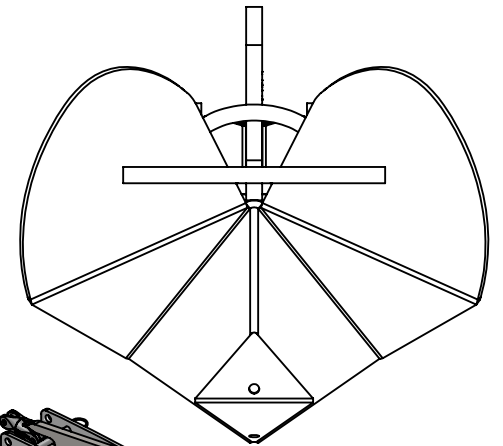
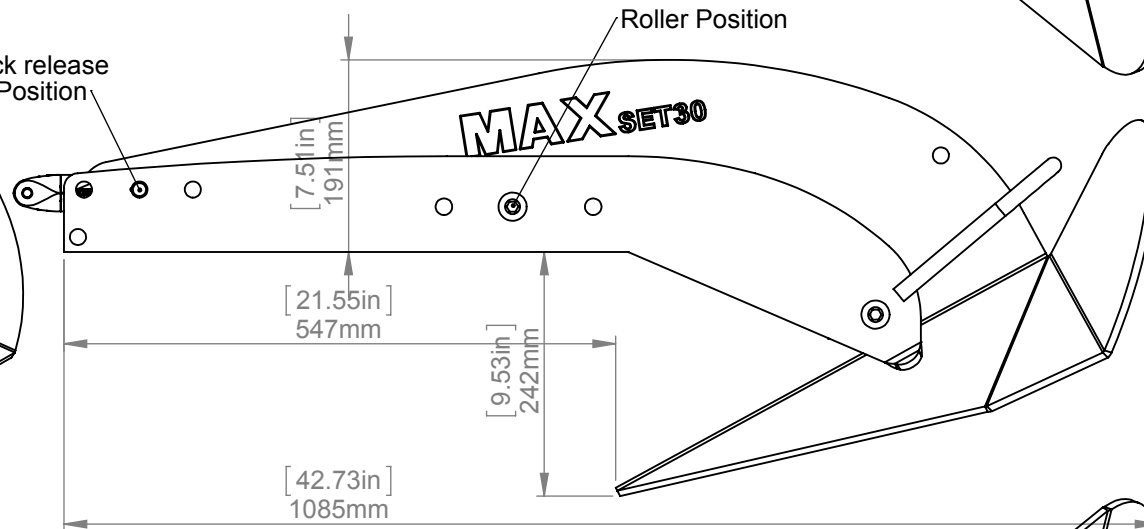
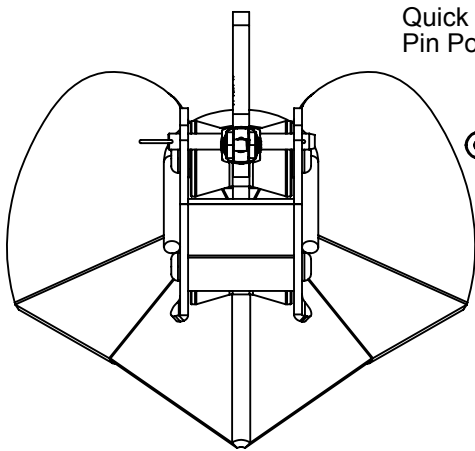
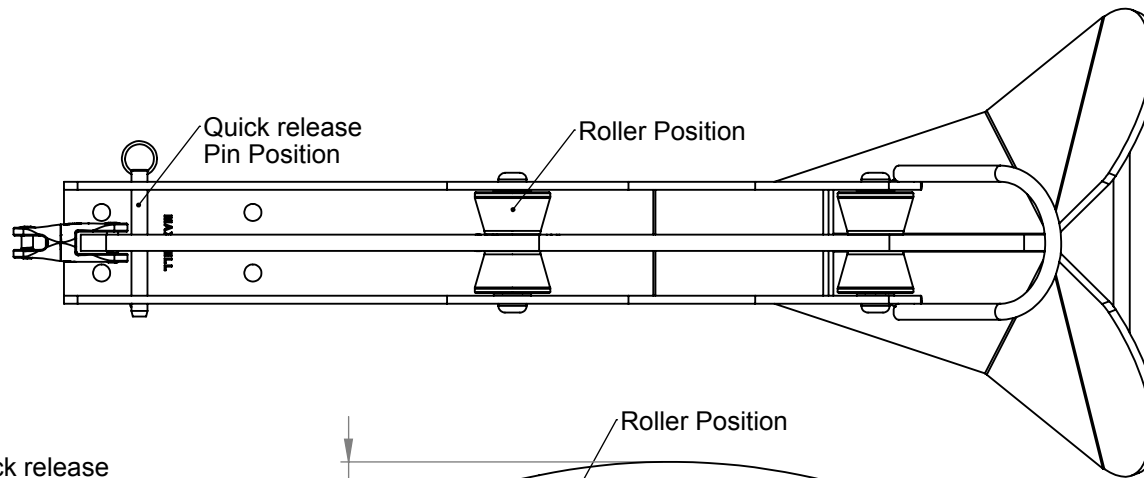
This drawing is protected by copyright and the design and or details contained therein are the confidential property of MAXWELL MARINE INTERNATIONAL LTD. This drawing must be returned upon demand and must not be copied, loaned or have its contents communicated to any other persons, including subcontractors, without the consent in writing from Maxwell Marine International Ltd. This drawing must not be used for any other purpose other than that for which it was originally supplied.



Rev.	Change	Made on	Des/Dwn	Checked
0.01	Initial Issue	16/09/14	Peter Chiu	GB

Sht Size	Scale	Dwg Type	Sheet	Description	Pbv/Dwg No.
A4	1:7.5	Dfted	2 of 4	MAXset Bow Roller 25~40kg With 25Kg Anchor P105082	

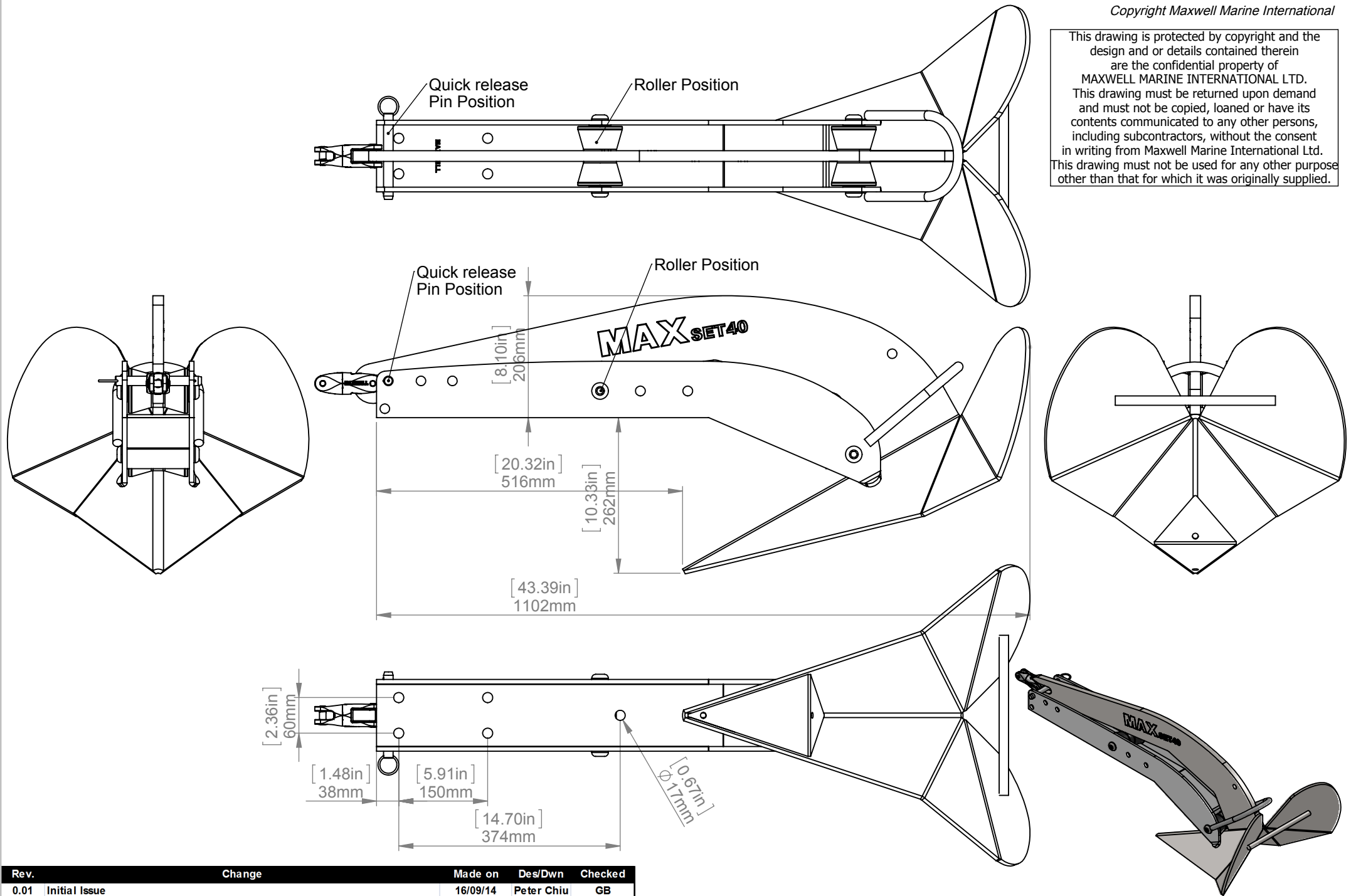
This drawing is protected by copyright and the design and or details contained therein are the confidential property of MAXWELL MARINE INTERNATIONAL LTD. This drawing must be returned upon demand and must not be copied, loaned or have its contents communicated to any other persons, including subcontractors, without the consent in writing from Maxwell Marine International Ltd. This drawing must not be used for any other purpose other than that for which it was originally supplied.



Rev.	Change	Made on	Des/Dwn	Checked
0.01	Initial Issue	16/09/14	Peter Chiu	GB

Sht Size	Scale	Dwg Type	Sheet	Description	Pbv/Dwg No.
A4	1:7.5	Dfted	3 of 4	MAXset Bow Roller 25~40kg with 30Kg Anchor	P105082

This drawing is protected by copyright and the design and or details contained therein are the confidential property of MAXWELL MARINE INTERNATIONAL LTD. This drawing must be returned upon demand and must not be copied, loaned or have its contents communicated to any other persons, including subcontractors, without the consent in writing from Maxwell Marine International Ltd. This drawing must not be used for any other purpose other than that for which it was originally supplied.



Rev.	Change	Made on	Des/Dwn	Checked
0.01	Initial Issue	16/09/14	Peter Chiu	GB

Sht Size	Scale	Dwg Type	Sheet	Description	Pbv/Dwg No.
A4	1:8	Dfted	4 of 4	MAXset Bow Roller 25~40Kg with 40Kg Anchor	P105082